

## A3 Push-to-Close Latch

Slide-to-open · Flush · Locking

### Features

- Single hole snap-in installation
- Corrosion-resistant materials

### Accessories

- Flat key, keyed alike CH751 (2 keys per ring): PK-10-01
- Overmoulded key, keyed alike CH751 (2 keys per ring): PK-10-01-05



### Material

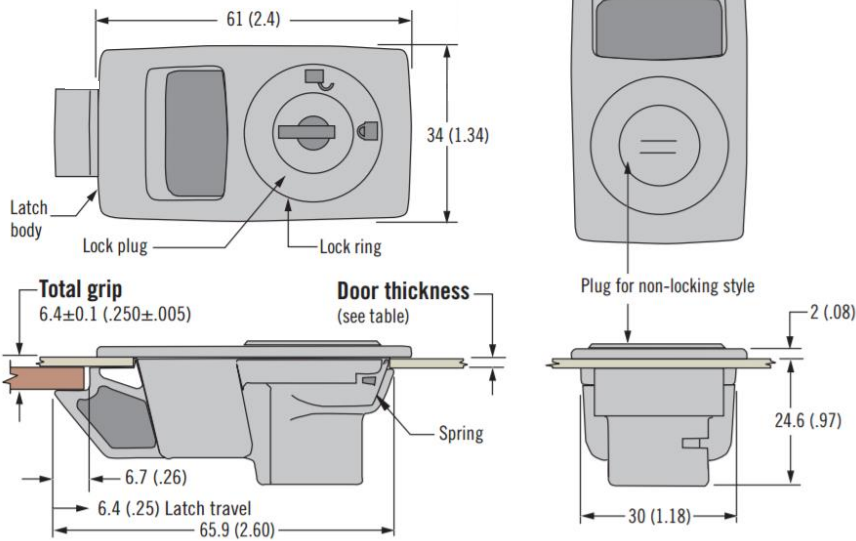
- Latch: ABS, black
- Spring: Stainless steel

### Product Performance

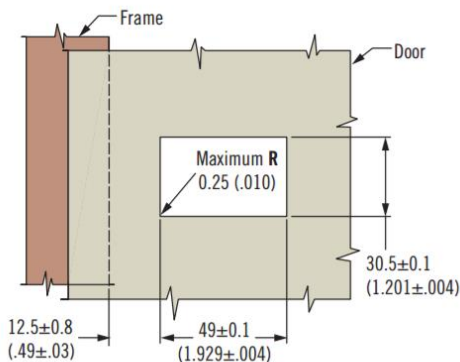
- Operating temperature range: -40 °C to 60 °C
- Flammability rating: UL94-V0

### Installation Notes

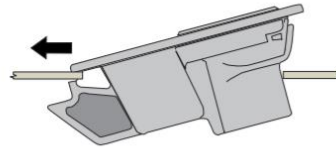
- Prepare a burr free hole
- Door thickness must include plating or paint thickness



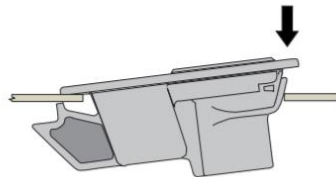
### Installation



1. Slip front of latch through hole, push forward



2. Snap back end of latch into position



Door Thickness	Part Number		
	Non-Locking	Key-Locking Keyed Alike CH751 (No Keys Supplied)	Key-Locking Keyed Alike CH751 (2 Flat Keys Supplied)
0.9 (.035) to 1.2 (.047)	A3-80-525-12	A3-85-525-12	A3-87-525-12
1.3 (.051) to 1.6 (.062)	A3-80-625-12	A3-85-625-12	A3-87-625-12